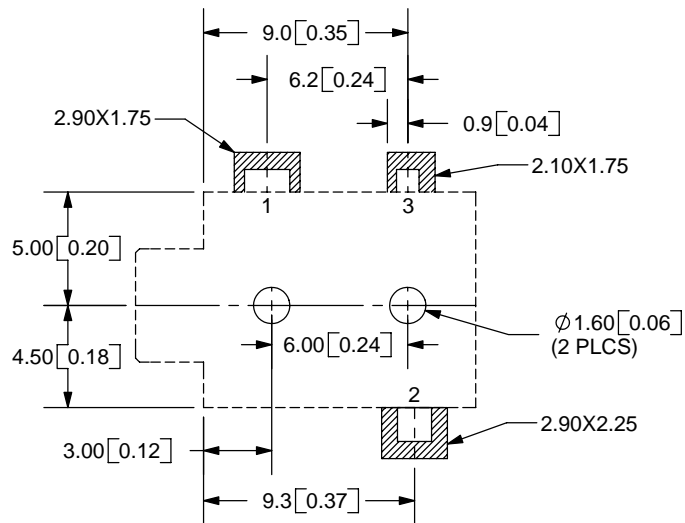
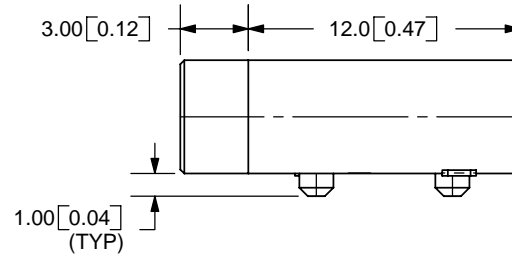
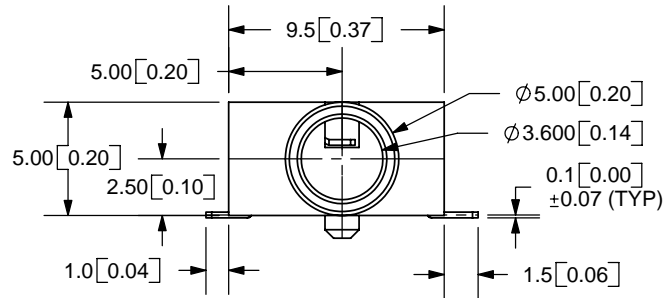
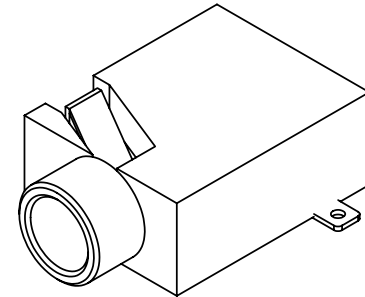
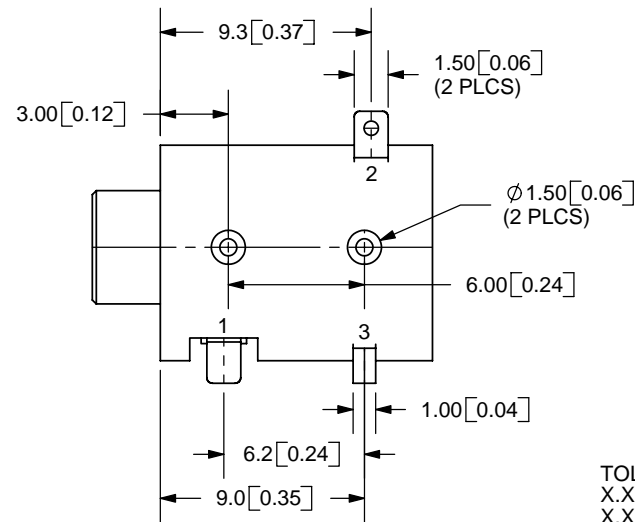
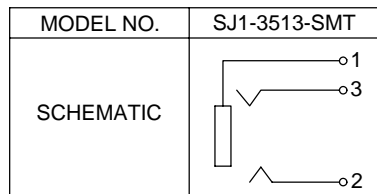


REV.	DESCRIPTION	DATE
A	NEW DRAWING	11/21/2005



PCB LAYOUT  
TOP VIEW



TOLERANCE:  
X.X ±0.2mm  
X.XX ±0.1mm  
X.XXX ±0.05mm



9615 SW Allen Blvd., Ste. 103  
Beaverton, OR 97005  
Phone: 503-643-4899  
800-275-4899  
Fax: 503-372-1266  
Website: www.cui.com

**SPECIFICATIONS:**  
RATING: 16V DC @ 300mA  
CONTACT RESISTANCE: 30m OHMS MAX  
INSULATION RESISTANCE: 50M OHMS MIN: 500V DC  
VOLTAGE WITHSTAND: 500V AC R.M.S. FOR 1 MINUTE  
LIFE: 5,000 CYCLES

	MATERIAL	PLATING	TITLE: 3.5mm SURFACE MOUNT AUDIO JACK-STEREO	REV: A
TERMINAL 1	Copper Alloy	Gold	PART NO. SJ1-3513-SMT	UNITS: MM [INCHES]
TERMINAL 2	Copper Alloy	Gold		
TERMINAL 3	Copper Alloy	Gold	DRAWN BY: ZRJ	APPROVED BY:
HOUSING	PA6T			

PC FILE NAME:  
SJ1-3513-SMT

COPYRIGHT 2006 BY CUI INC.